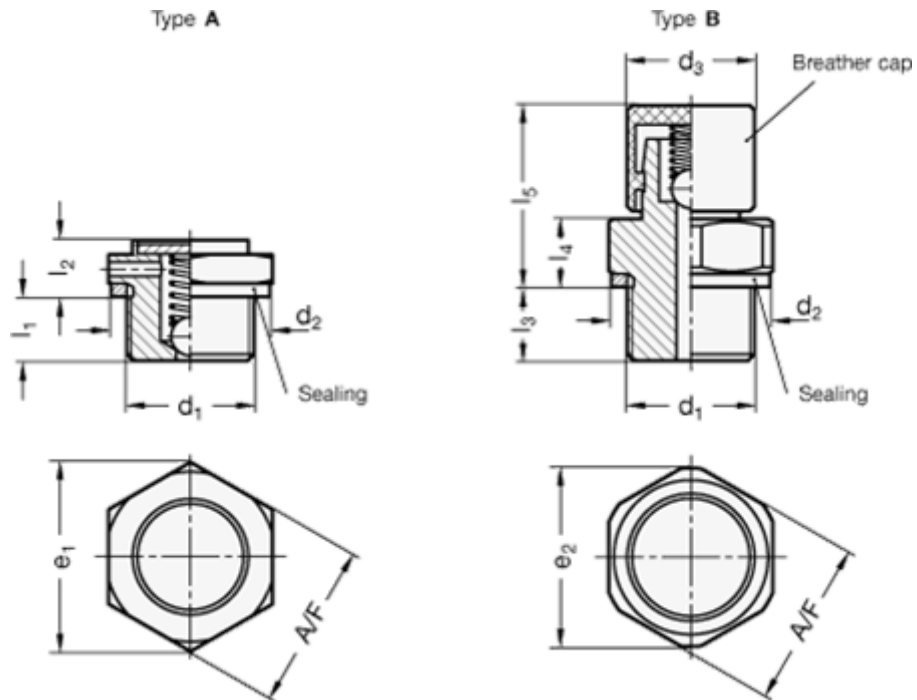


Data Sheet



Article number: 20883M10120BMS
 Description: E+G Udluftningsfilter - M10x1

Measures



	= -	l2	= 6
	= -	l3	= 8
A/F	= 14	l4	= 7
Air passage l/min.	= -	l5	= 18.5
d2	= 17	Opening pressure in mbar = Min. 20 - Max 80. mbar	
d3	= 13	Thread d1 = M10x1	
e	= 18.5		
l1	= 6		